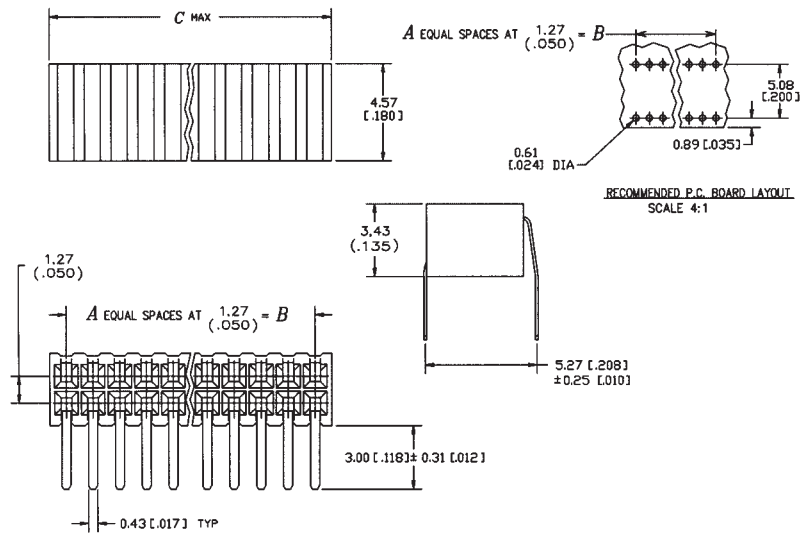


Torson 0.050" 1.27mm



20-5016-2XXX-20-001 – Receptacle - Right Angle

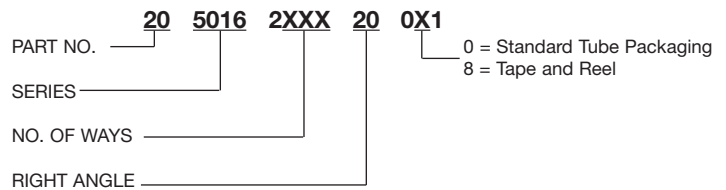
Part Number			No. of Positions	A	B	C Max.	Qty. Per Tube		
20	5016	2004	20 001	4	1	1.27 (0.050)	2.84 (0.112)	200	
↑	↑	2006	↑	↑	6	2	2.54 (0.100)	4.11 (0.162)	138
		2008			8	3	3.81 (0.150)	5.38 (0.212)	105
		2010			10	4	5.08 (0.200)	6.65 (0.262)	85
		2012			12	5	6.35 (0.250)	7.92 (0.312)	71
		2014			14	6	7.62 (0.300)	9.19 (0.362)	62
		2016			16	7	8.89 (0.350)	10.46 (0.412)	54
		2018			18	8	10.16 (0.400)	11.73 (0.462)	48
		2020			20	9	11.43 (0.450)	13.00 (0.512)	43
		2022			22	10	12.70 (0.500)	14.27 (0.562)	39
		2024			24	11	13.97 (0.550)	15.54 (0.612)	36
		2026			26	12	15.24 (0.600)	16.81 (0.662)	33
		2028			28	13	16.51 (0.650)	18.08 (0.712)	31
		2030			30	14	17.78 (0.700)	19.35 (0.762)	29
		2032			32	15	19.05 (0.750)	20.62 (0.812)	27
		2034			34	16	20.32 (0.800)	21.89 (0.862)	26
		2036			36	17	21.59 (0.850)	23.16 (0.912)	24
		2038			38	18	22.86 (0.900)	24.43 (0.962)	23
		2040			40	19	24.13 (0.950)	25.70 (1.012)	22
		2042			42	20	25.40 (1.000)	26.97 (1.062)	21
		2044			44	21	26.67 (1.050)	28.24 (1.112)	20
		2046			46	22	27.94 (1.100)	29.51 (1.162)	19
↓	↓	2048	↓	↓	48	23	29.21 (1.150)	30.78 (1.212)	18
20	5016	2050	20 001	50	24	30.48 (1.200)	32.05 (1.262)	17	
20	5016	2052	20 001	52	25	31.75 (1.250)	33.32 (1.312)	17	
↑	↑	2054	↑	↑	54	26	33.02 (1.300)	34.59 (1.362)	16
		2056			56	27	34.29 (1.350)	35.86 (1.412)	15
		2058			58	28	35.56 (1.400)	37.13 (1.462)	15
		2060			60	29	36.83 (1.450)	38.40 (1.512)	14
		2062			62	30	38.10 (1.500)	39.67 (1.562)	14
		2064			64	31	39.37 (1.550)	40.94 (1.612)	13
		2066			66	32	40.64 (1.600)	42.21 (1.662)	13
		2068			68	33	41.91 (1.650)	43.48 (1.712)	13
		2070			70	34	43.18 (1.700)	44.75 (1.762)	12
		2072			72	35	44.45 (1.750)	46.02 (1.812)	12
		2074			74	36	45.72 (1.800)	47.29 (1.862)	12
		2076			76	37	46.99 (1.850)	48.56 (1.912)	11
		2078			78	38	48.26 (1.900)	49.83 (1.962)	11
		2080			80	39	49.53 (1.950)	51.10 (2.012)	11
		2082			82	40	50.80 (2.000)	52.37 (2.062)	10
		2084			84	41	52.07 (2.050)	53.64 (2.112)	10
		2086			86	42	53.34 (2.100)	54.91 (2.162)	10
		2088			88	43	54.61 (2.150)	56.18 (2.212)	10
		2090			90	44	55.88 (2.200)	57.45 (2.262)	9
		2092			92	45	57.15 (2.250)	58.72 (2.312)	9
		2094			94	46	58.42 (2.300)	59.99 (2.362)	9
		2096			96	47	59.69 (2.350)	61.26 (2.412)	9
		2098			98	48	60.96 (2.400)	62.53 (2.462)	9
↓	↓	2100	↓	↓	100	49	62.23 (2.450)	63.80 (2.512)	8
20	5016	2102	20 001	102	50	63.50 (2.500)	65.07 (2.562)	8	



Specifications

- Insulator Material – High temperature thermoplastic (UL 94 V-O)
- Contact Material – copper alloy
- Contact Plating – .000030–.000080 (0.00076–0.00203) nickel underplate all over
.000015 (0.00038) min. gold in mating area
.000075–.000150 (0.00191–0.00381) tin/lead on tails

ORDERING CODE

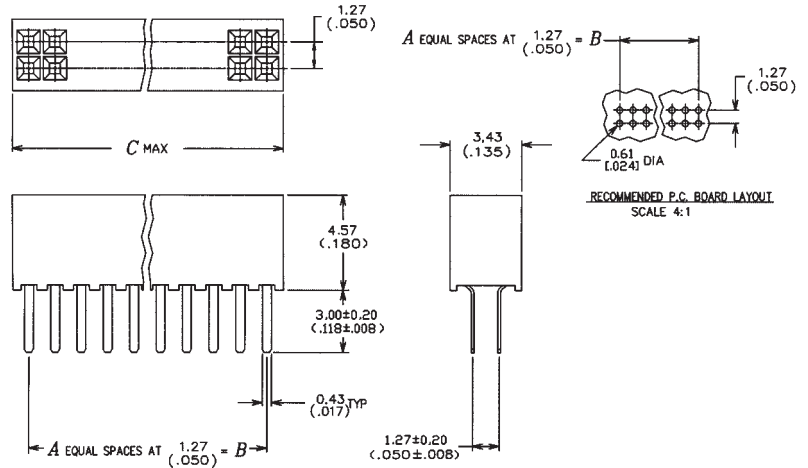


Torson 0.050" 1.27mm



20-5016-2XXX-10-001 – Receptacle - Straight

Part Number			No. of Positions	A	B	C Max.	Qty. Per Tube
20 5016 2004	10 001		4	1	1.27 (0.050)	2.84 (0.112)	200
↑ ↑	2006	↑ ↑	6	2	2.54 (0.100)	4.11 (0.162)	138
	2008		8	3	3.81 (0.150)	5.38 (0.212)	105
	2010		10	4	5.08 (0.200)	6.65 (0.262)	85
	2012		12	5	6.35 (0.250)	7.92 (0.312)	71
	2014		14	6	7.62 (0.300)	9.19 (0.362)	62
	2016		16	7	8.89 (0.350)	10.46 (0.412)	54
	2018		18	8	10.16 (0.400)	11.73 (0.462)	48
	2020		20	9	11.43 (0.450)	13.00 (0.512)	43
	2022		22	10	12.70 (0.500)	14.27 (0.562)	39
	2024		24	11	13.97 (0.550)	15.54 (0.612)	36
	2026		26	12	15.24 (0.600)	16.81 (0.662)	33
	2028		28	13	16.51 (0.650)	18.08 (0.712)	31
	2030		30	14	17.78 (0.700)	19.35 (0.762)	29
	2032		32	15	19.05 (0.750)	20.62 (0.812)	27
	2034		34	16	20.32 (0.800)	21.89 (0.862)	26
	2036		36	17	21.59 (0.850)	23.16 (0.912)	24
	2038		38	18	22.86 (0.900)	24.43 (0.962)	23
	2040		40	19	24.13 (0.950)	25.70 (1.012)	22
	2042		42	20	25.40 (1.000)	26.97 (1.062)	21
	2044		44	21	26.67 (1.050)	28.24 (1.112)	20
	2046		46	22	27.94 (1.100)	29.51 (1.162)	19
↓ ↓	2048	↓ ↓	48	23	29.21 (1.150)	30.78 (1.212)	18
20 5016 2050	10 001		50	24	30.48 (1.200)	32.05 (1.262)	17
20 5016 2052	10 001		52	25	31.75 (1.250)	33.32 (1.312)	17
↑ ↑	2054	↑ ↑	54	26	33.02 (1.300)	34.59 (1.362)	16
	2056		56	27	34.29 (1.350)	35.86 (1.412)	15
	2058		58	28	35.56 (1.400)	37.13 (1.462)	15
	2060		60	29	36.83 (1.450)	38.40 (1.512)	14
	2062		62	30	38.10 (1.500)	39.67 (1.562)	14
	2064		64	31	39.37 (1.550)	40.94 (1.612)	13
	2066		66	32	40.64 (1.600)	42.21 (1.662)	13
	2068		68	33	41.91 (1.650)	43.48 (1.712)	13
	2070		70	34	43.18 (1.700)	44.75 (1.762)	12
	2072		72	35	44.45 (1.750)	46.02 (1.812)	12
	2074		74	36	45.72 (1.800)	47.29 (1.862)	12
	2076		76	37	46.99 (1.850)	48.56 (1.912)	11
	2078		78	38	48.26 (1.900)	49.83 (1.962)	11
	2080		80	39	49.53 (1.950)	51.10 (2.012)	11
	2082		82	40	50.80 (2.000)	52.37 (2.062)	10
	2084		84	41	52.07 (2.050)	53.64 (2.112)	10
	2086		86	42	53.34 (2.100)	54.91 (2.162)	10
	2088		88	43	54.61 (2.150)	56.18 (2.212)	10
	2090		90	44	55.88 (2.200)	57.45 (2.262)	9
	2092		92	45	57.15 (2.250)	58.72 (2.312)	9
	2094		94	46	58.42 (2.300)	59.99 (2.362)	9
	2096		96	47	59.69 (2.350)	61.26 (2.412)	9
	2098		98	48	60.96 (2.400)	62.53 (2.462)	9
↓ ↓	2100	↓ ↓	100	49	62.23 (2.450)	63.80 (2.512)	8
20 5016 2102	10 001		102	50	63.50 (2.500)	65.07 (2.562)	8



Specifications

- Insulator Material – High temperature thermoplastic (UL 94 V-O)
- Contact Material – copper alloy
- Contact Plating – .000030-.000080 (0.00076-0.00203) nickel underplate all over
.000015 (0.00038) min. gold in mating area
.000075-.000150 (0.00191-0.00381) tin/lead on tails

Mating Half

Part Number	Board/Board Stacking Height	See Page
20-5016-2XXX-10-001	6.09	5
10-5016-2XXX-10-001		10
20-5016-2XXX-10-001	6.73	5
11-5016-2XXX-10-001		11

ORDERING CODE

PART NO. **20 5016 2XXX 10 0X1**
 SERIES _____
 NO. OF WAYS _____

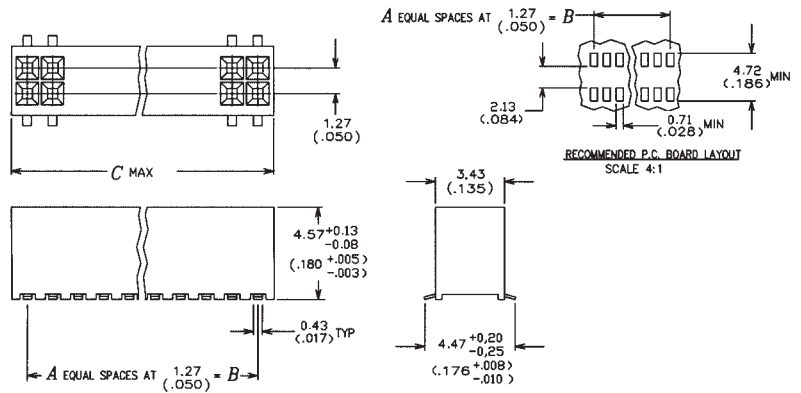
0 = Standard Tube Packaging
 8 = Tape and Reel

Torson 0.050" 1.27mm



21-5016-2XXX-10-001 – Receptacle

Part Number			No. of Positions	A	B	C Max.	Qty. Per Tube
21 5016	2004	10 001	4	1	1.27 (0.050)	2.84 (0.112)	200
↑	↑	2006	↑	↑	2.54 (0.100)	4.11 (0.162)	138
		2008	8	3	3.81 (0.150)	5.38 (0.212)	105
		2010	10	4	5.08 (0.200)	6.65 (0.262)	85
		2012	12	5	6.35 (0.250)	7.92 (0.312)	71
		2014	14	6	7.62 (0.300)	9.19 (0.362)	62
		2016	16	7	8.89 (0.350)	10.46 (0.412)	54
		2018	18	8	10.16 (0.400)	11.73 (0.462)	48
		2020	20	9	11.43 (0.450)	13.00 (0.512)	43
		2022	22	10	12.70 (0.500)	14.27 (0.562)	39
		2024	24	11	13.97 (0.550)	15.54 (0.612)	36
		2026	26	12	15.24 (0.600)	16.81 (0.662)	33
		2028	28	13	16.51 (0.650)	18.08 (0.712)	31
		2030	30	14	17.78 (0.700)	19.35 (0.762)	29
		2032	32	15	19.05 (0.750)	20.62 (0.812)	27
		2034	34	16	20.32 (0.800)	21.89 (0.862)	26
		2036	36	17	21.59 (0.850)	23.16 (0.912)	24
		2038	38	18	22.86 (0.900)	24.43 (0.962)	23
		2040	40	19	24.13 (0.950)	25.70 (1.012)	22
		2042	42	20	25.40 (1.000)	26.97 (1.062)	21
		2044	44	21	26.67 (1.050)	28.24 (1.112)	20
		2046	46	22	27.94 (1.100)	29.51 (1.162)	19
↓	↓	2048	↓	↓	29.21 (1.150)	30.78 (1.212)	18
21 5016	2050	10 001	50	24	30.48 (1.200)	32.05 (1.262)	17
21 5016	2052	10 001	52	25	31.75 (1.250)	33.32 (1.312)	17
↑	↑	2054	↑	↑	33.02 (1.300)	34.59 (1.362)	16
		2056	56	27	34.29 (1.350)	35.86 (1.412)	15
		2058	58	28	35.56 (1.400)	37.13 (1.462)	15
		2060	60	29	36.83 (1.450)	38.40 (1.512)	14
		2062	62	30	38.10 (1.500)	39.67 (1.562)	14
		2064	64	31	39.37 (1.550)	40.94 (1.612)	13
		2066	66	32	40.64 (1.600)	42.21 (1.662)	13
		2068	68	33	41.91 (1.650)	43.48 (1.712)	13
		2070	70	34	43.18 (1.700)	44.75 (1.762)	12
		2072	72	35	44.45 (1.750)	46.02 (1.812)	12
		2074	74	36	45.72 (1.800)	47.29 (1.862)	12
		2076	76	37	46.99 (1.850)	48.56 (1.912)	11
		2078	78	38	48.26 (1.900)	49.83 (1.962)	11
		2080	80	39	49.53 (1.950)	51.10 (2.012)	11
		2082	82	40	50.80 (2.000)	52.37 (2.062)	10
		2084	84	41	52.07 (2.050)	53.64 (2.112)	10
		2086	86	42	53.34 (2.100)	54.91 (2.162)	10
		2088	88	43	54.61 (2.150)	56.18 (2.212)	10
		2090	90	44	55.88 (2.200)	57.45 (2.262)	9
		2092	92	45	57.15 (2.250)	58.72 (2.312)	9
		2094	94	46	58.42 (2.300)	59.99 (2.362)	9
		2096	96	47	59.69 (2.350)	61.26 (2.412)	9
		2098	98	48	60.96 (2.400)	62.53 (2.462)	9
↓	↓	2100	↓	↓	62.23 (2.450)	63.80 (2.512)	8
21 5016	2102	10 001	102	50	63.50 (2.500)	65.07 (2.562)	8



Specifications

- Insulator Material – High temperature thermoplastic (UL 94 V-O)
- Contact Material – copper alloy
- Contact Plating – .000030-.000080 (0.00076-0.00203) nickel underplate all over
.000015 (0.00038) min. gold in mating area
.000075-.000150 (0.00191-0.00381) tin/lead on tails

Mating Half

Part Number	Board/Board Stacking Height	See Page
11-5016-2XXX-10-001	6.73	11
20-5016-2XXX-10-001		5
11-5016-2XXX-10-001	6.73	11
21-5016-2XXX-10-001		6

ORDERING CODE

PART NO. 21 5016 2XXX 10 0X1
 SERIES _____
 NO. OF WAYS _____

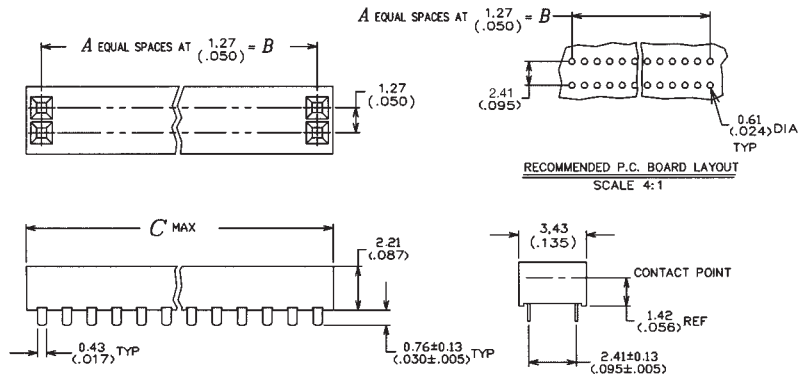
0 = Standard Tube Packaging
 8 = Tape and Reel

Torson 0.050" 1.27mm



22-5016-2XXX-10-001 – Receptacle

Part Number			No. of Positions	A	B	C Max.	Qty. Per Tube
22 5016	2002	10 001	4	1	1.27 (0.050)	2.84 (0.112)	200
↑	↑	2003	↑	↑	2.54 (0.100)	4.11 (0.162)	138
		2004	8	3	3.81 (0.150)	5.38 (0.212)	105
		2005	10	4	5.08 (0.200)	6.65 (0.262)	85
		2006	12	5	6.35 (0.250)	7.92 (0.312)	71
		2007	14	6	7.62 (0.300)	9.19 (0.362)	62
		2008	16	7	8.89 (0.350)	10.46 (0.412)	54
		2009	18	8	10.16 (0.400)	11.73 (0.462)	48
		2010	20	9	11.43 (0.450)	13.00 (0.512)	43
		2011	22	10	12.70 (0.500)	14.27 (0.562)	39
		2012	24	11	13.97 (0.550)	15.54 (0.612)	36
		2013	26	12	15.24 (0.600)	16.81 (0.662)	33
		2014	28	13	16.51 (0.650)	18.08 (0.712)	31
		2015	30	14	17.78 (0.700)	19.35 (0.762)	29
		2016	32	15	19.05 (0.750)	20.62 (0.812)	27
		2017	34	16	20.32 (0.800)	21.89 (0.862)	26
		2018	36	17	21.59 (0.850)	23.16 (0.912)	24
		2019	38	18	22.86 (0.900)	24.43 (0.962)	23
		2020	40	19	24.13 (0.950)	25.7084 (1.012)	22
		2021	42	20	25.40 (1.000)	26.97 (1.062)	21
		2022	44	21	26.67 (1.050)	28.24 (1.112)	20
		2023	46	22	27.94 (1.100)	29.51 (1.162)	19
		2024	48	23	29.21 (1.150)	30.78 (1.212)	18
22 5016	2025	10 001	50	24	30.48 (1.200)	32.05 (1.262)	17
22 5016	2026	10 001	52	25	31.75 (1.250)	33.32 (1.312)	17
↑	↑	2027	↑	↑	33.02 (1.300)	34.59 (1.362)	16
		2028	56	27	34.29 (1.350)	35.86 (1.412)	15
		2029	58	28	35.56 (1.400)	37.13 (1.462)	15
		2030	60	29	36.83 (1.450)	38.40 (1.512)	14
		2031	62	30	38.10 (1.500)	39.67 (1.562)	14
		2032	64	31	39.37 (1.550)	40.94 (1.612)	13
		2033	66	32	40.64 (1.600)	42.21 (1.662)	13
		2034	68	33	41.91 (1.650)	43.48 (1.712)	13
		2035	70	34	43.18 (1.700)	44.75 (1.762)	12
		2036	72	35	44.45 (1.750)	46.02 (1.812)	12
		2037	74	36	45.72 (1.800)	47.29 (1.862)	12
		2038	76	37	46.99 (1.850)	48.56 (1.912)	11
		2039	78	38	48.26 (1.900)	49.83 (1.962)	11
		2040	80	39	49.53 (1.950)	51.10 (2.012)	11
		2041	82	40	50.80 (2.000)	52.37 (2.062)	10
		2042	84	41	52.07 (2.050)	53.64 (2.112)	10
		2043	86	42	53.34 (2.100)	54.91 (2.162)	10
		2044	88	43	54.61 (2.150)	56.18 (2.212)	10
		2045	90	44	55.88 (2.200)	57.45 (2.262)	9
		2046	92	45	57.15 (2.250)	58.72 (2.312)	9
		2047	94	46	58.42 (2.300)	59.99 (2.362)	9
		2048	96	47	59.69 (2.350)	61.26 (2.412)	9
		2049	98	48	60.96 (2.400)	62.53 (2.462)	9
		2050	100	49	62.23 (2.450)	63.80 (2.512)	8
22 5016	2051	10 001	102	50	63.50 (2.500)	65.07 (2.562)	8



Specifications

- Insulator Material – High temperature thermoplastic (UL 94 V-O)
- Contact Material – copper alloy
- Contact Plating – .000030-.000080 (0.00076-0.00203) nickel underplate all over
.000015 (0.00038) min. gold in mating area
.000075-.000150 (0.00191-0.00381) tin/lead on tails

Mating Half

Part Number	Board/Board Stacking Height	See Page
22-5016-2XXX-10-001	3.73	7
12-5016-2XXX-10-001		12
22-5016-2XXX-10-001	2.21	7
15-5016-2XXX-10-002		14

ORDERING CODE

22 5016 2XXX 10 0X1
 PART NO. _____
 SERIES _____
 NUMBER X2 = NO. OF WAYS _____

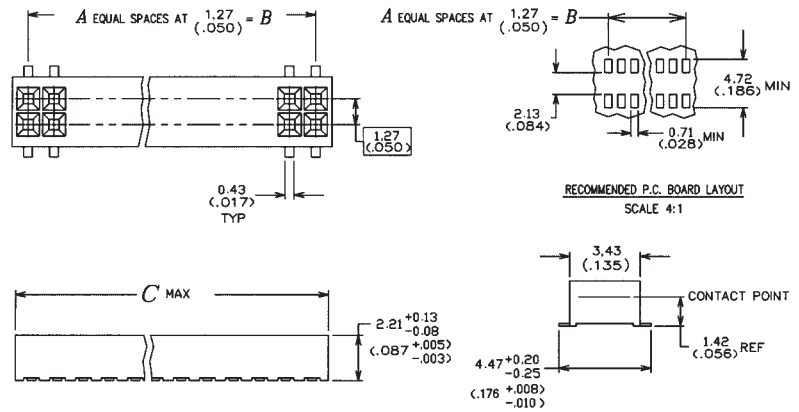
0 = Standard Tube Packaging
 8 = Tape and Reel

Torson 0.050" 1.27mm



23-5016-2XXX-10-001 – Receptacle

Part Number	No. of Positions	A	B	C Max.	Qty. Per Tube
23 5016 2002 10 001	4	1	1.27 (0.050)	2.84 (0.112)	200
↑ ↑ 2003 ↑ ↑	6	2	2.54 (0.100)	4.11 (0.162)	138
2004	8	3	3.81 (0.150)	5.38 (0.212)	105
2005	10	4	5.08 (0.200)	6.65 (0.262)	85
2006	12	5	6.35 (0.250)	7.92 (0.312)	71
2007	14	6	7.62 (0.300)	9.19 (0.362)	62
2008	16	7	8.89 (0.350)	10.46 (0.412)	54
2009	18	8	10.16 (0.400)	11.73 (0.462)	48
2010	20	9	11.43 (0.450)	13.00 (0.512)	43
2011	22	10	12.70 (0.500)	14.27 (0.562)	39
2012	24	11	13.97 (0.550)	15.54 (0.612)	36
2013	26	12	15.24 (0.600)	16.81 (0.662)	33
2014	28	13	16.51 (0.650)	18.08 (0.712)	31
2015	30	14	17.78 (0.700)	19.35 (0.762)	29
2016	32	15	19.05 (0.750)	20.62 (0.812)	27
2017	34	16	20.32 (0.800)	21.89 (0.862)	26
2018	36	17	21.59 (0.850)	23.16 (0.912)	24
2019	38	18	22.86 (0.900)	24.43 (0.962)	23
2020	40	19	24.13 (0.950)	25.70 (1.012)	22
2021	42	20	25.40 (1.000)	26.97 (1.062)	21
2022	44	21	26.67 (1.050)	28.24 (1.112)	20
2023	46	22	27.94 (1.100)	29.51 (1.162)	19
↓ ↓ 2024 ↓ ↓	48	23	29.21 (1.150)	30.78 (1.212)	18
23 5016 2025 10 001	50	24	30.48 (1.200)	32.05 (1.262)	17
23 5016 2026 10 001	52	25	31.75 (1.250)	33.32 (1.312)	17
↑ ↑ 2027 ↑ ↑	54	26	33.02 (1.300)	34.59 (1.362)	16
2028	56	27	34.29 (1.350)	35.86 (1.412)	15
2029	58	28	35.56 (1.400)	37.13 (1.462)	15
2030	60	29	36.83 (1.450)	38.40 (1.512)	14
2031	62	30	38.10 (1.500)	39.67 (1.562)	14
2032	64	31	39.37 (1.550)	40.94 (1.612)	13
2033	66	32	40.64 (1.600)	42.21 (1.662)	13
2034	68	33	41.91 (1.650)	43.48 (1.712)	13
2035	70	34	43.18 (1.700)	44.75 (1.762)	12
2036	72	35	44.45 (1.750)	46.02 (1.812)	12
2037	74	36	45.72 (1.800)	47.29 (1.862)	12
2038	76	37	46.99 (1.850)	48.56 (1.912)	11
2039	78	38	48.26 (1.900)	49.83 (1.962)	11
2040	80	39	49.53 (1.950)	51.10 (2.012)	11
2041	82	40	50.80 (2.000)	52.37 (2.062)	10
2042	84	41	52.07 (2.050)	53.64 (2.112)	10
2043	86	42	53.34 (2.100)	54.91 (2.162)	10
2044	88	43	54.61 (2.150)	56.18 (2.212)	10
2045	90	44	55.88 (2.200)	57.45 (2.262)	9
2046	92	45	57.15 (2.250)	58.72 (2.312)	9
2047	94	46	58.42 (2.300)	59.99 (2.362)	9
2048	96	47	59.69 (2.350)	61.26 (2.412)	9
2049	98	48	60.96 (2.400)	62.53 (2.462)	9
↓ ↓ 2050 ↓ ↓	100	49	62.23 (2.450)	63.80 (2.512)	8
23 5016 2051 10 001	102	50	63.50 (2.500)	65.07 (2.562)	8



Specifications

- Insulator Material – High temperature thermoplastic (UL 94 V-O)
- Contact Material – copper alloy
- Contact Plating – .000030-.000080 (0.00076-0.00203) nickel underplate all over
.000015 (0.00038) min. gold in mating area
.000075-.000150 (0.00191-0.00381) tin/lead on tails

Mating Half

Part Number	Board/Board Stacking Height	See Page
23-5016-2XXX-10-001	2.21	8
15-5016-2XXX-10-002		14
23-5016-2XXX-10-001	3.73	8
12-5016-2XXX-10-001		12
23-5016-2XXX-10-001	4.28	8
17-5016-2XXX-10-001		13

ORDERING CODE

23 5016 2XXX 10 0X1
 PART NO. _____
 SERIES _____
 NUMBER X2 = NO. OF WAYS _____

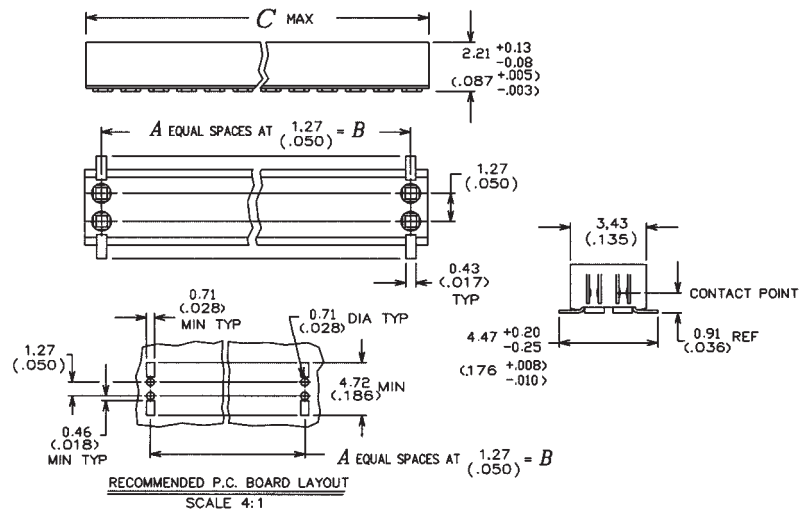
0 = Standard Tube Packaging
 8 = Tape and Reel

Torson 0.050" 1.27mm



24-5016-2XXX-10-001 – Receptacle

Part Number	No. of Positions	A	B	C Max.	Qty. Per Tube
24 5016 2002 10 001	4	1	1.27 (0.050)	2.84 (0.112)	200
↑ ↑ 2003 ↑ ↑	6	2	2.54 (0.100)	4.11 (0.162)	138
2004	8	3	3.81 (0.150)	5.38 (0.212)	105
2005	10	4	5.08 (0.200)	6.65 (0.262)	85
2006	12	5	6.35 (0.250)	7.92 (0.312)	71
2007	14	6	7.62 (0.300)	9.19 (0.362)	62
2008	16	7	8.89 (0.350)	10.46 (0.412)	54
2009	18	8	10.16 (0.400)	11.73 (0.462)	48
2010	20	9	11.43 (0.450)	13.00 (0.512)	43
2011	22	10	12.70 (0.500)	14.27 (0.562)	39
2012	24	11	13.97 (0.550)	15.54 (0.612)	36
2013	26	12	15.24 (0.600)	16.81 (0.662)	33
2014	28	13	16.51 (0.650)	18.08 (0.712)	31
2015	30	14	17.78 (0.700)	19.35 (0.762)	29
2016	32	15	19.05 (0.750)	20.62 (0.812)	27
2017	34	16	20.32 (0.800)	21.89 (0.862)	26
2018	36	17	21.59 (0.850)	23.16 (0.912)	24
2019	38	18	22.86 (0.900)	24.43 (0.962)	23
2020	40	19	24.13 (0.950)	25.70 (1.012)	22
2021	42	20	25.40 (1.000)	26.97 (1.062)	21
2022	44	21	26.67 (1.050)	28.24 (1.112)	20
2023	46	22	27.94 (1.100)	29.51 (1.162)	19
↓ ↓ 2024 ↓ ↓	48	23	29.21 (1.150)	30.78 (1.212)	18
24 5016 2025 10 001	50	24	30.48 (1.200)	32.05 (1.262)	17
24 5016 2026 10 001	52	25	31.75 (1.250)	33.32 (1.312)	17
↑ ↑ 2027 ↑ ↑	54	26	33.02 (1.300)	34.59 (1.362)	16
2028	56	27	34.29 (1.350)	35.86 (1.412)	15
2029	58	28	35.56 (1.400)	37.13 (1.462)	15
2030	60	29	36.83 (1.450)	38.40 (1.512)	14
2031	62	30	38.10 (1.500)	39.67 (1.562)	14
2032	64	31	39.37 (1.550)	40.94 (1.612)	13
2033	66	32	40.64 (1.600)	42.21 (1.662)	13
2034	68	33	41.91 (1.650)	43.48 (1.712)	13
2035	70	34	43.18 (1.700)	44.75 (1.762)	12
2036	72	35	44.45 (1.750)	46.02 (1.812)	12
2037	74	36	45.72 (1.800)	47.29 (1.862)	12
2038	76	37	46.99 (1.850)	48.56 (1.912)	11
2039	78	38	48.26 (1.900)	49.83 (1.962)	11
2040	80	39	49.53 (1.950)	51.10 (2.012)	11
2041	82	40	50.80 (2.000)	52.37 (2.062)	10
2042	84	41	52.07 (2.050)	53.64 (2.112)	10
2043	86	42	53.34 (2.100)	54.91 (2.162)	10
2044	88	43	54.61 (2.150)	56.18 (2.212)	10
2045	90	44	55.88 (2.200)	57.45 (2.262)	9
2046	92	45	57.15 (2.250)	58.72 (2.312)	9
2047	94	46	58.42 (2.300)	59.99 (2.362)	9
2048	96	47	59.69 (2.350)	61.26 (2.412)	9
2049	98	48	60.96 (2.400)	62.53 (2.462)	9
↓ ↓ 2050 ↓ ↓	100	49	62.23 (2.450)	63.80 (2.512)	8
24 5016 2051 10 001	102	50	63.50 (2.500)	65.07 (2.562)	8



Specifications

- Insulator Material – High temperature thermoplastic (UL 94 V-O)
- Contact Material – copper alloy
- Contact Plating – .000030-.000080 (0.00076-0.00203) nickel underplate all over .000015 (0.00038) min. gold in mating area .000075-.000150 (0.00191-0.00381) tin/lead on tails

Mating Half

Part Number	Board/Board Stacking Height	See Page
24-5016-2XXX-10-001	1.52	9
12-5016-2XXX-10-001		12

ORDERING CODE

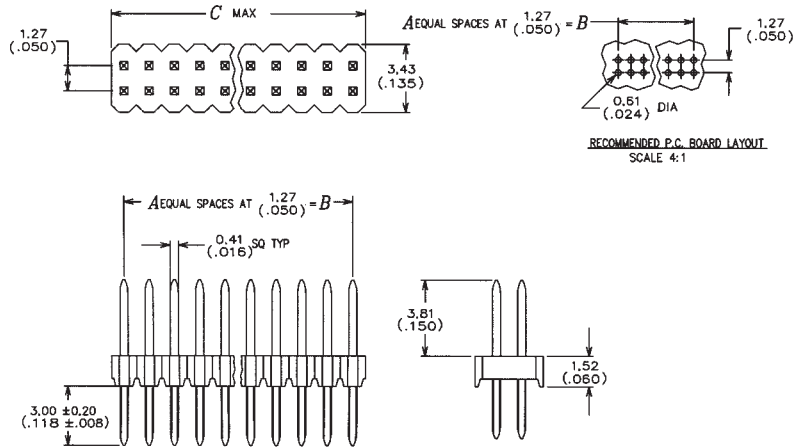
PART NO. 24 5016 2XXX 10 0X1
 SERIES _____
 NUMBER X2 = NO. OF WAYS _____
 0 = Standard Tube Packaging
 8 = Tape and Reel

Torson 0.050" 1.27mm



10-5016-2XXX-10-001 – Header

Part Number			No. of Positions	A	B	C Max.	Qty. Per Tube
10 5016	2004	10 001	4	1	1.27 (0.050)	2.54 (0.100)	224
↑	↑	2006	↑	↑	2.54 (0.100)	3.81 (0.150)	149
		2008	8	3	3.81 (0.150)	5.08 (0.200)	112
		2010	10	4	5.08 (0.200)	6.35 (0.250)	89
		2012	12	5	6.35 (0.250)	7.62 (0.300)	74
		2014	14	6	7.62 (0.300)	8.89 (0.350)	64
		2016	16	7	8.89 (0.350)	10.16 (0.400)	56
		2018	18	8	10.16 (0.400)	11.43 (0.450)	49
		2020	20	9	11.43 (0.450)	12.70 (0.500)	44
		2022	22	10	12.70 (0.500)	13.97 (0.550)	40
		2024	24	11	13.97 (0.550)	15.24 (0.600)	37
		2026	26	12	15.24 (0.600)	16.51 (0.650)	34
		2028	28	13	16.51 (0.650)	17.78 (0.700)	32
		2030	30	14	17.78 (0.700)	19.05 (0.750)	29
		2032	32	15	19.05 (0.750)	20.32 (0.800)	28
		2034	34	16	20.32 (0.800)	21.59 (0.850)	26
		2036	36	17	21.59 (0.850)	22.86 (0.900)	24
		2038	38	18	22.86 (0.900)	24.13 (0.950)	23
		2040	40	19	24.13 (0.950)	25.40 (1.000)	22
		2042	42	20	25.40 (1.000)	26.67 (1.050)	21
		2044	44	21	26.67 (1.050)	27.94 (1.100)	20
		2046	46	22	27.94 (1.100)	29.21 (1.150)	19
↓	↓	2048	↓	↓	29.21 (1.150)	30.48 (1.200)	18
10 5016	2050	10 001	50	24	30.48 (1.200)	31.75 (1.250)	17
10 5016	2052	10 001	52	25	31.75 (1.250)	33.02 (1.300)	17
↑	↑	2054	↑	↑	33.02 (1.300)	34.29 (1.350)	16
		2056	56	27	34.29 (1.350)	35.56 (1.400)	16
		2058	58	28	35.56 (1.400)	36.83 (1.450)	15
		2060	60	29	36.83 (1.450)	38.10 (1.500)	14
		2062	62	30	38.10 (1.500)	39.37 (1.550)	14
		2064	64	31	39.37 (1.550)	40.64 (1.600)	14
		2066	66	32	40.64 (1.600)	41.91 (1.650)	13
		2068	68	33	41.91 (1.650)	43.18 (1.700)	13
		2070	70	34	43.18 (1.700)	44.45 (1.750)	12
		2072	72	35	44.45 (1.750)	45.72 (1.800)	12
		2074	74	36	45.72 (1.800)	46.99 (1.850)	12
		2076	76	37	46.99 (1.850)	48.26 (1.900)	11
		2078	78	38	48.26 (1.900)	49.53 (1.950)	11
		2080	80	39	49.53 (1.950)	50.80 (2.000)	11
		2082	82	40	50.80 (2.000)	52.07 (2.050)	10
		2084	84	41	52.07 (2.050)	53.34 (2.100)	10
		2086	86	42	53.34 (2.100)	54.61 (2.150)	10
		2088	88	43	54.61 (2.150)	55.88 (2.200)	10
		2090	90	44	55.88 (2.200)	57.15 (2.250)	9
		2092	92	45	57.15 (2.250)	58.42 (2.300)	9
		2094	94	46	58.42 (2.300)	59.69 (2.350)	9
		2096	96	47	59.69 (2.350)	60.96 (2.400)	9
↓	↓	2098	↓	↓	60.96 (2.400)	62.23 (2.450)	9
10 5016	2100	10 001	100	49	62.23 (2.450)	63.50 (2.500)	8



Specifications

- Insulator Material – High temperature thermoplastic (UL 94 V-O)
- Contact Material – copper alloy
- Contact Plating – .000030-.000080 (0.00076-0.00203) nickel underplate all over
.000015 (0.00038) min. gold in mating area
.000075-.000150 (0.00191-0.00381) tin/lead on tails

Mating Half

Part Number	Board/Board Stacking Height	See Page
10-5016-2XXX-10-001	6.09	10
20-5016-2XXX-10-001		5
10-5016-2XXX-10-001	6.09	10
21-5016-2XXX-10-001		6

ORDERING CODE

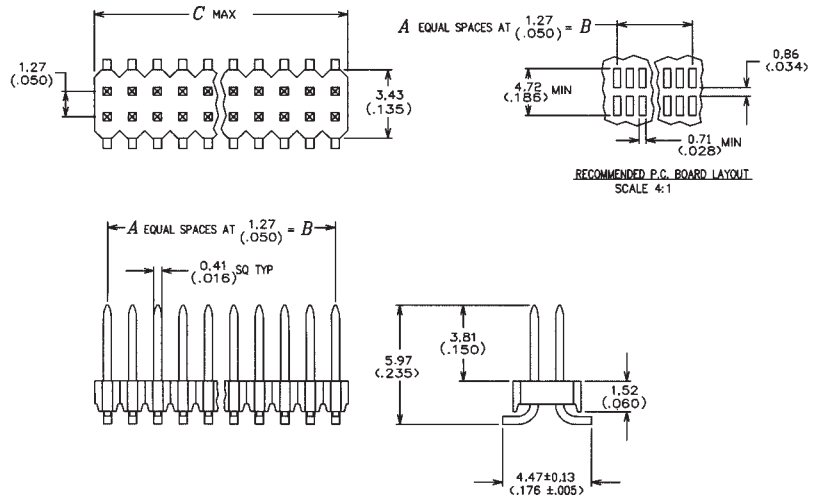
PART NO. 10 5016 2XXX 10 0X1
 SERIES _____
 NO. OF WAYS _____
 0 = Standard Tube Packaging
 8 = Tape and Reel

Torson 0.050" 1.27mm



11-5016-2XXX-10-001 – Header

Part Number			No. of Positions	A	B	C Max.	Qty. Per Tube
11 5016	2004	10 001	4	1	1.27 (0.050)	2.54 (0.100)	224
↑	↑	2006	↑	↑	2.54 (0.100)	3.81 (0.150)	149
		2008			3.81 (0.150)	5.08 (0.200)	112
		2010			5.08 (0.200)	6.35 (0.250)	89
		2012			6.35 (0.250)	7.62 (0.300)	74
		2014			7.62 (0.300)	8.89 (0.350)	64
		2016			8.89 (0.350)	10.16 (0.400)	56
		2018			10.16 (0.400)	11.43 (0.450)	49
		2020			11.43 (0.450)	12.70 (0.500)	44
		2022			12.70 (0.500)	13.97 (0.550)	40
		2024			13.97 (0.550)	15.24 (0.600)	37
		2026			15.24 (0.600)	16.51 (0.650)	34
		2028			16.51 (0.650)	17.78 (0.700)	32
		2030			17.78 (0.700)	19.05 (0.750)	29
		2032			19.05 (0.750)	20.32 (0.800)	28
		2034			20.32 (0.800)	21.59 (0.850)	26
		2036			21.59 (0.850)	22.89 (0.900)	24
		2038			22.89 (0.900)	24.13 (0.950)	23
		2040			24.13 (0.950)	25.40 (1.000)	22
		2042			25.40 (1.000)	26.67 (1.050)	21
		2044			26.67 (1.050)	27.94 (1.100)	20
		2046			27.94 (1.100)	29.21 (1.150)	19
↓	↓	2048	↓	↓	29.21 (1.150)	30.48 (1.200)	18
11 5016	2050	10 001	50	24	30.48 (1.200)	31.75 (1.250)	17
11 5016	2052	10 001	52	25	31.75 (1.250)	33.02 (1.300)	17
↑	↑	2054	↑	↑	33.02 (1.300)	34.29 (1.350)	16
		2056			34.29 (1.350)	35.56 (1.400)	16
		2058			35.56 (1.400)	36.83 (1.450)	15
		2060			36.83 (1.450)	38.10 (1.500)	14
		2062			38.10 (1.500)	39.37 (1.550)	14
		2064			39.37 (1.550)	40.64 (1.600)	14
		2066			40.64 (1.600)	41.91 (1.650)	13
		2068			41.91 (1.650)	43.18 (1.700)	13
		2070			43.18 (1.700)	44.45 (1.750)	12
		2072			44.45 (1.750)	45.72 (1.800)	12
		2074			45.72 (1.800)	46.99 (1.850)	12
		2076			46.99 (1.850)	48.26 (1.900)	11
		2078			48.26 (1.900)	49.53 (1.950)	11
		2080			49.53 (1.950)	50.80 (2.000)	11
		2082			50.80 (2.000)	52.07 (2.050)	10
		2084			52.07 (2.050)	53.34 (2.100)	10
		2086			53.34 (2.100)	54.61 (2.150)	10
		2088			54.61 (2.150)	55.88 (2.200)	10
		2090			55.88 (2.200)	57.15 (2.250)	9
		2092			57.15 (2.250)	58.42 (2.300)	9
		2094			58.42 (2.300)	59.69 (2.350)	9
		2096			59.69 (2.350)	60.96 (2.400)	9
↓	↓	2098	↓	↓	60.96 (2.400)	62.23 (2.450)	9
11 5016	2100	10 001	100	49	62.23 (2.450)	63.50 (2.500)	8



Specifications

- Insulator Material – High temperature thermoplastic (UL 94 V-O)
- Contact Material – copper alloy
- Contact Plating – .000030–.000080 (0.00076–0.00203) nickel underplate all over
.000015 (0.00038) min. gold in mating area
.000075–.000150 (0.00191–0.00381) tin/lead on tails

Mating Half

Part Number	Board/Board Stacking Height	See Page
11-5016-2XXX-10-001	6.73	11
20-5016-2XXX-10-001		5
11-5016-2XXX-10-001	6.73	11
21-5016-2XXX-10-001		6

ORDERING CODE

PART NO. 11 5016 2XXX 10 0X1
 SERIES _____
 NO. OF WAYS _____

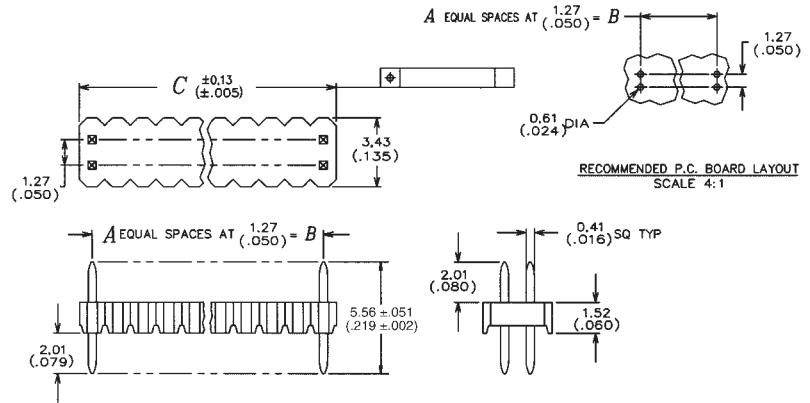
0 = Standard Tube Packaging
 8 = Tape and Reel

Torson 0.050" 1.27mm



12-5016-2XXX-10-001 – Header

Part Number			No. of Positions	A	B	C Max.	Qty. Per Tube
12 5016	2002	10 001	4	1	1.27 (0.050)	2.54 (0.100)	224
↑	↑	2003	↑	↑	2.54 (0.100)	3.81 (0.150)	149
		2004	8	3	3.81 (0.150)	5.08 (0.200)	112
		2005	10	4	5.08 (0.200)	6.35 (0.250)	89
		2006	12	5	6.35 (0.250)	7.62 (0.300)	74
		2007	14	6	7.62 (0.300)	8.89 (0.350)	64
		2008	16	7	8.89 (0.350)	10.16 (0.400)	56
		2009	18	8	10.16 (0.400)	11.43 (0.450)	49
		2010	20	9	11.43 (0.450)	12.70 (0.500)	44
		2011	22	10	12.70 (0.500)	13.97 (0.550)	40
		2012	24	11	13.97 (0.550)	15.24 (0.600)	37
		2013	26	12	15.24 (0.600)	16.51 (0.650)	34
		2014	28	13	16.51 (0.650)	17.78 (0.700)	32
		2015	30	14	17.78 (0.700)	19.05 (0.750)	29
		2016	32	15	19.05 (0.750)	20.32 (0.800)	28
		2017	34	16	20.32 (0.800)	21.59 (0.850)	26
		2018	36	17	21.59 (0.850)	22.86 (0.900)	24
		2019	38	18	22.86 (0.900)	24.13 (0.950)	23
		2020	40	19	24.13 (0.950)	25.40 (1.000)	22
		2021	42	20	25.40 (1.000)	26.67 (1.050)	21
		2022	44	21	26.67 (1.050)	27.94 (1.100)	20
		2023	46	22	27.94 (1.100)	29.21 (1.150)	19
↓	↓	2024	↓	↓	29.21 (1.150)	30.48 (1.200)	18
12 5016	2025	10 001	50	24	30.48 (1.200)	31.75 (1.250)	17
12 5016	2026	10 001	52	25	31.75 (1.250)	33.02 (1.300)	17
↑	↑	2027	↑	↑	33.02 (1.300)	34.29 (1.350)	16
		2028	56	27	34.29 (1.350)	35.56 (1.400)	16
		2029	58	28	35.56 (1.400)	36.83 (1.450)	15
		2030	60	29	36.83 (1.450)	38.10 (1.500)	14
		2031	62	30	38.10 (1.500)	39.37 (1.550)	14
		2032	64	31	39.37 (1.550)	40.64 (1.600)	14
		2033	66	32	40.64 (1.600)	41.91 (1.650)	13
		2034	68	33	41.91 (1.650)	43.18 (1.700)	13
		2035	70	34	43.18 (1.700)	44.45 (1.750)	12
		2036	72	35	44.45 (1.750)	45.72 (1.800)	12
		2037	74	36	45.72 (1.800)	46.99 (1.850)	12
		2038	76	37	46.99 (1.850)	48.26 (1.900)	11
		2039	78	38	48.26 (1.900)	49.53 (1.950)	11
		2040	80	39	49.53 (1.950)	50.80 (2.000)	11
		2041	82	40	50.80 (2.000)	52.07 (2.050)	10
		2042	84	41	52.07 (2.050)	53.34 (2.100)	10
		2043	86	42	53.34 (2.100)	54.61 (2.150)	10
		2044	88	43	54.61 (2.150)	55.88 (2.200)	10
		2045	90	44	55.88 (2.200)	57.15 (2.250)	9
		2046	92	45	57.15 (2.250)	58.42 (2.300)	9
		2047	94	46	58.42 (2.300)	59.69 (2.350)	9
		2048	96	47	59.69 (2.350)	60.96 (2.400)	9
↓	↓	2049	↓	↓	60.96 (2.400)	62.23 (2.450)	9
12 5016	2050	10 001	100	49	62.23 (2.450)	63.50 (2.500)	8



Specifications

- Insulator Material – High temperature thermoplastic (UL 94 V-O)
- Contact Material – copper alloy
- Contact Plating – .000030–.000080 (0.00076–0.00203) nickel underplate all over
.000015 (0.00038) min. gold in mating area
.000075–.000150 (0.00191–0.00381) tin/lead on tails

Mating Half

Part Number	Board/Board Stacking Height	See Page
12-5016-2XXX-10-001	1.52	12
24-5016-2XXX-10-001		9
12-5016-2XXX-10-001	3.73	12
22-5016-2XXX-10-001		7
12-5016-2XXX-10-001	3.73	12
23-5016-2XXX-10-001		8

ORDERING CODE

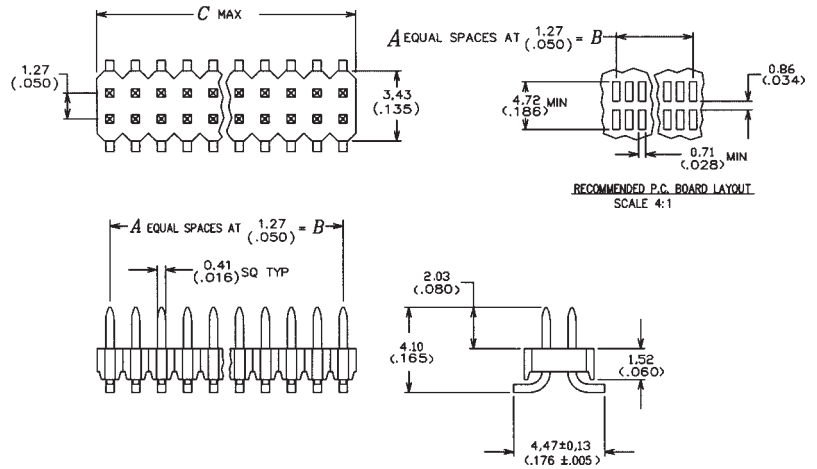
PART NO. 12 5016 2XXX 10 0X1
 SERIES _____
 NUMBER X2 = NO. OF WAYS _____
 0 = Standard Tube Packaging
 8 = Tape and Reel

Torson 0.050" 1.27mm



17-5016-2XXX-10-001 – Header

Part Number			No. of Positions	A	B	C Max.	Qty. Per Tube
17 5016	2002	10 001	4	1	1.27 (0.050)	2.54 (0.100)	224
↑	↑	2003	↑	↑	2.54 (0.100)	3.81 (0.150)	149
		2004			3.81 (0.150)	5.08 (0.200)	112
		2005			5.08 (0.200)	6.35 (0.250)	89
		2006			6.35 (0.250)	7.62 (0.300)	74
		2007			7.62 (0.300)	8.89 (0.350)	64
		2008			8.89 (0.350)	10.16 (0.400)	56
		2009			10.16 (0.400)	11.43 (0.450)	49
		2010			11.43 (0.450)	12.70 (0.500)	44
		2011			12.70 (0.500)	13.97 (0.550)	40
		2012			13.97 (0.550)	15.24 (0.600)	37
		2013			15.24 (0.600)	16.51 (0.650)	34
		2014			16.51 (0.650)	17.78 (0.700)	32
		2015			17.78 (0.700)	19.05 (0.750)	29
		2016			19.05 (0.750)	20.32 (0.800)	28
		2017			20.32 (0.800)	21.59 (0.850)	26
		2018			21.59 (0.850)	22.86 (0.900)	24
		2019			22.86 (0.900)	24.13 (0.950)	23
		2020			24.13 (0.950)	25.40 (1.000)	22
		2021			25.40 (1.000)	26.67 (1.050)	21
		2022			26.67 (1.050)	27.94 (1.100)	20
		2023			27.94 (1.100)	29.21 (1.150)	19
↓	↓	2024	↓	↓	29.21 (1.150)	30.48 (1.200)	18
17 5016	2025	10 001	50	24	30.48 (1.200)	31.75 (1.250)	17
17 5016	2026	10 001	52	25	31.75 (1.250)	33.02 (1.300)	17
↑	↑	2027	↑	↑	33.02 (1.300)	34.29 (1.350)	16
		2028			34.29 (1.350)	35.56 (1.400)	16
		2029			35.56 (1.400)	36.83 (1.450)	15
		2030			36.83 (1.450)	38.10 (1.500)	14
		2031			38.10 (1.500)	39.37 (1.550)	14
		2032			39.37 (1.550)	40.64 (1.600)	14
		2033			40.64 (1.600)	41.91 (1.650)	13
		2034			41.91 (1.650)	43.18 (1.700)	13
		2035			43.18 (1.700)	44.45 (1.750)	12
		2036			44.45 (1.750)	45.72 (1.800)	12
		2037			45.72 (1.800)	46.99 (1.850)	12
		2038			46.99 (1.850)	48.26 (1.900)	11
		2039			48.26 (1.900)	49.53 (1.950)	11
		2040			49.53 (1.950)	50.80 (2.000)	11
		2041			50.80 (2.000)	52.07 (2.050)	10
		2042			52.07 (2.050)	53.34 (2.100)	10
		2043			53.34 (2.100)	54.61 (2.150)	10
		2044			54.61 (2.150)	55.88 (2.200)	10
		2045			55.88 (2.200)	57.15 (2.250)	9
		2046			57.15 (2.250)	58.42 (2.300)	9
		2047			58.42 (2.300)	59.69 (2.350)	9
		2048			59.69 (2.350)	60.96 (2.400)	9
↓	↓	2049	↓	↓	60.96 (2.400)	62.23 (2.450)	9
17 5016	2050	10 001	100	49	62.23 (2.450)	63.50 (2.500)	8



Specifications

- Insulator Material – High temperature thermoplastic (UL 94 V-O)
- Contact Material – copper alloy
- Contact Plating – .000030–.000080 (0.00076–0.00203) nickel underplate all over
.000015 (0.00038) min. gold in mating area
.000075–.000150 (0.00191–0.00381) tin/lead on tails

Mating Half

Part Number	Board/Board Stacking Height	See Page
17-5016-2XXX-10-001	4.28	13
23-5016-2XXX-10-001		8
17-5016-2XXX-10-001	4.28	13
22-5016-2XXX-10-001		7

ORDERING CODE

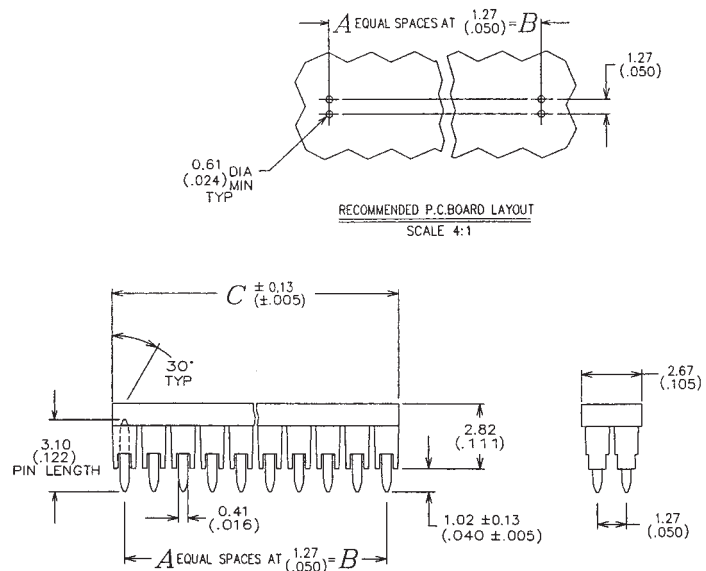
PART NO. 17 5016 2XXX 10 0X1
 SERIES _____
 NUMBER X2 = NO. OF WAYS _____
 0 = Standard Tube Packaging
 8 = Tape and Reel

Torson 0.050" 1.27mm



15-5016-2XXX-10-002 – Header

Part Number			No. of Positions	A	B	C
15 5016	2002	10 002	4	1	1.27 (0.050)	2.54 (0.100)
↑	↑	2003	↑	↑	2.54 (0.100)	3.81 (0.150)
	2004		8	3	3.81 (0.150)	5.08 (0.200)
	2005		10	4	5.08 (0.200)	6.35 (0.250)
	2006		12	5	6.35 (0.250)	7.62 (0.300)
	2007		14	6	7.62 (0.300)	8.89 (0.350)
	2008		16	7	8.89 (0.350)	10.16 (0.400)
	2009		18	8	10.16 (0.400)	11.43 (0.450)
	2010		20	9	11.43 (0.450)	12.70 (0.500)
	2011		22	10	12.70 (0.500)	13.97 (0.550)
	2012		24	11	13.97 (0.550)	15.24 (0.600)
	2013		26	12	15.24 (0.600)	16.51 (0.650)
↓	↓	2014	↓	↓	16.51 (0.650)	17.78 (0.700)
15 5016	2015	10 002	30	14	17.78 (0.700)	19.05 (0.750)
15 5016	2016	10 002	32	15	19.05 (0.750)	20.32 (0.800)
15 5016	2017	10 002	34	16	20.32 (0.800)	21.59 (0.850)
15 5016	2018	10 002	36	17	21.59 (0.850)	22.86 (0.900)



Mating Half

Part Number	Board/Board Stacking Height	See Page
15-5016-2XXX-10-002	2.21	14
22-5016-2XXX-10-001		7
15-5016-2XXX-10-002	2.21	14
23-5016-2XXX-10-001		8

ORDERING CODE

PART NO. 15 5016 2XXX 10 0X2
 SERIES _____
 NUMBER X2 = NO. OF WAYS _____

0 = Standard Tube Packaging
 8 = Tape and Reel

Torson 0.050" 1.27mm



Product Specifications

Specifications

- Insertion Force – 4 oz. max.
- Withdrawal Force – 0.50 oz. min.
- Contact Resistance – 20 milliohms initial
- Dielectric Withstanding Voltage – 1000 Vac
- Current Rating – 1 amp max.
- Durability - 50 cycles
- Operating Temperature – -55°C to +105°C
- Insulation Resistance – 1000 megohms min.

Solder Temperature Reflow Profile

